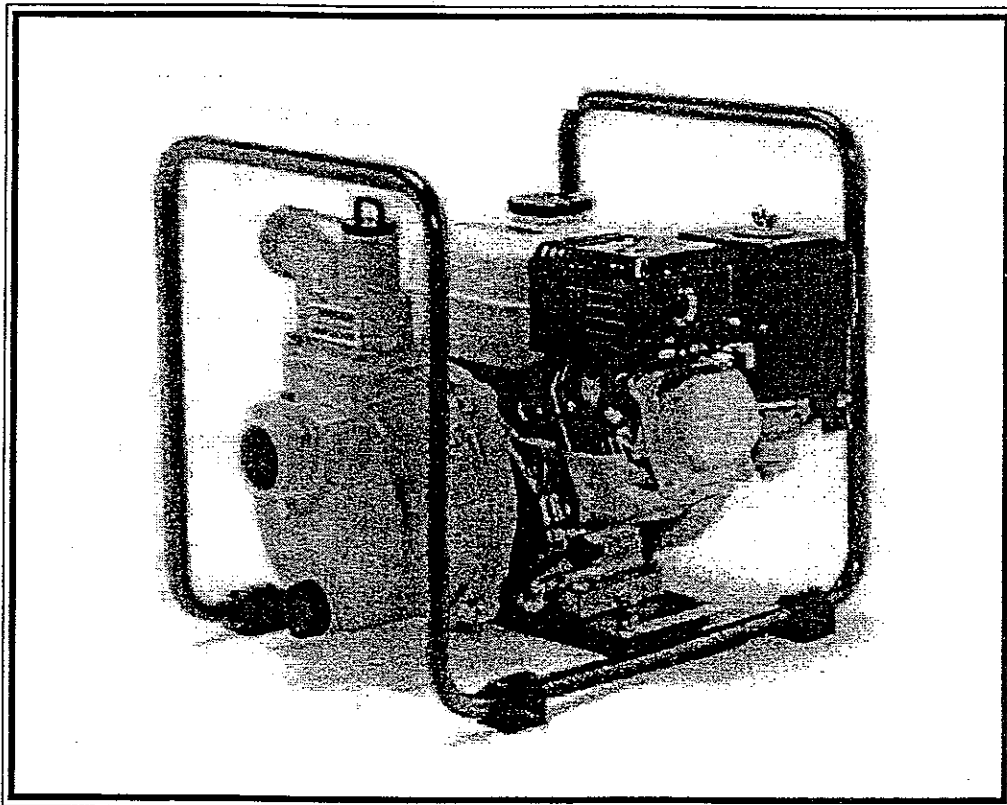


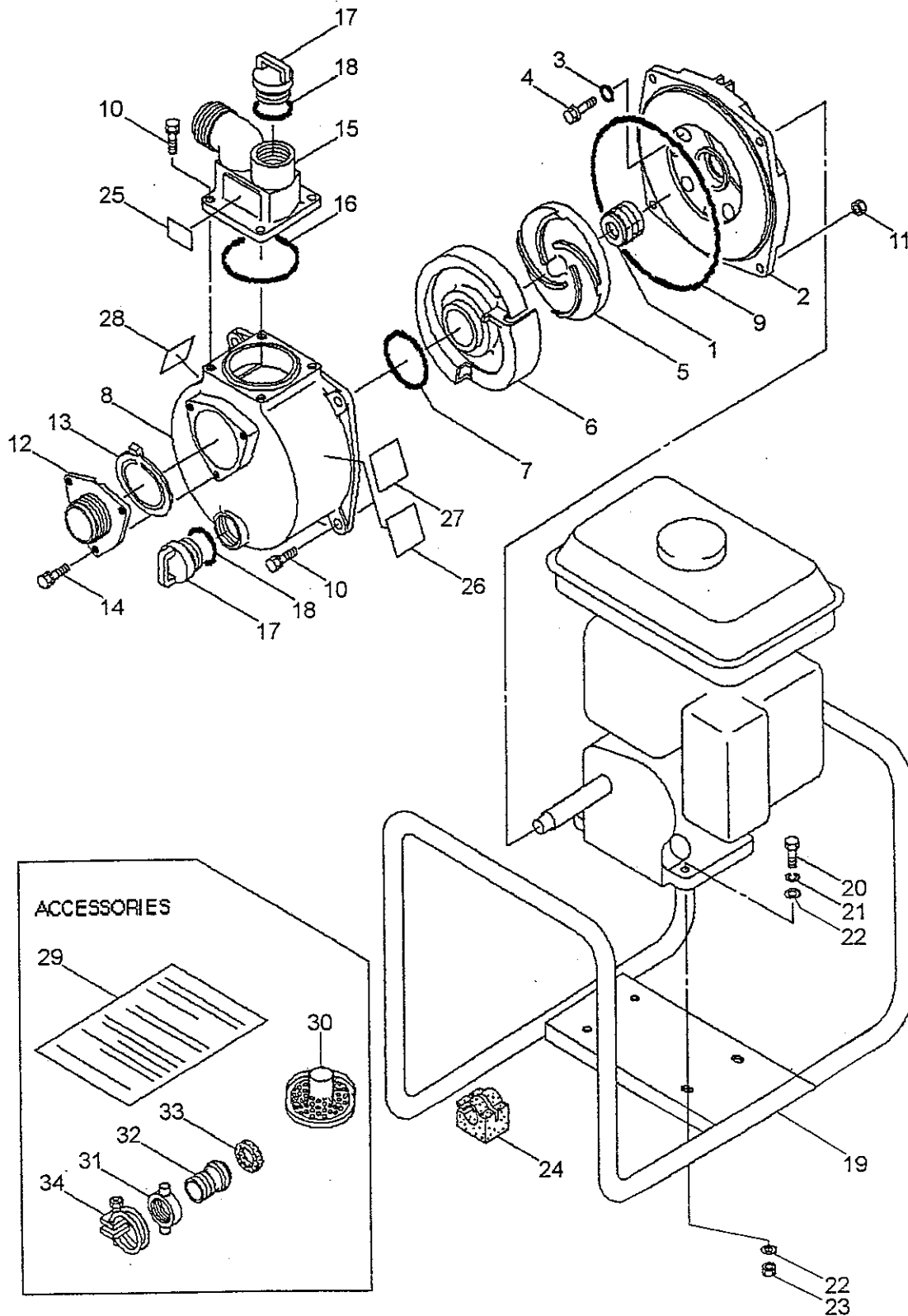


Illustrated Parts List

**Models
MP4020EH & MP5020EH**



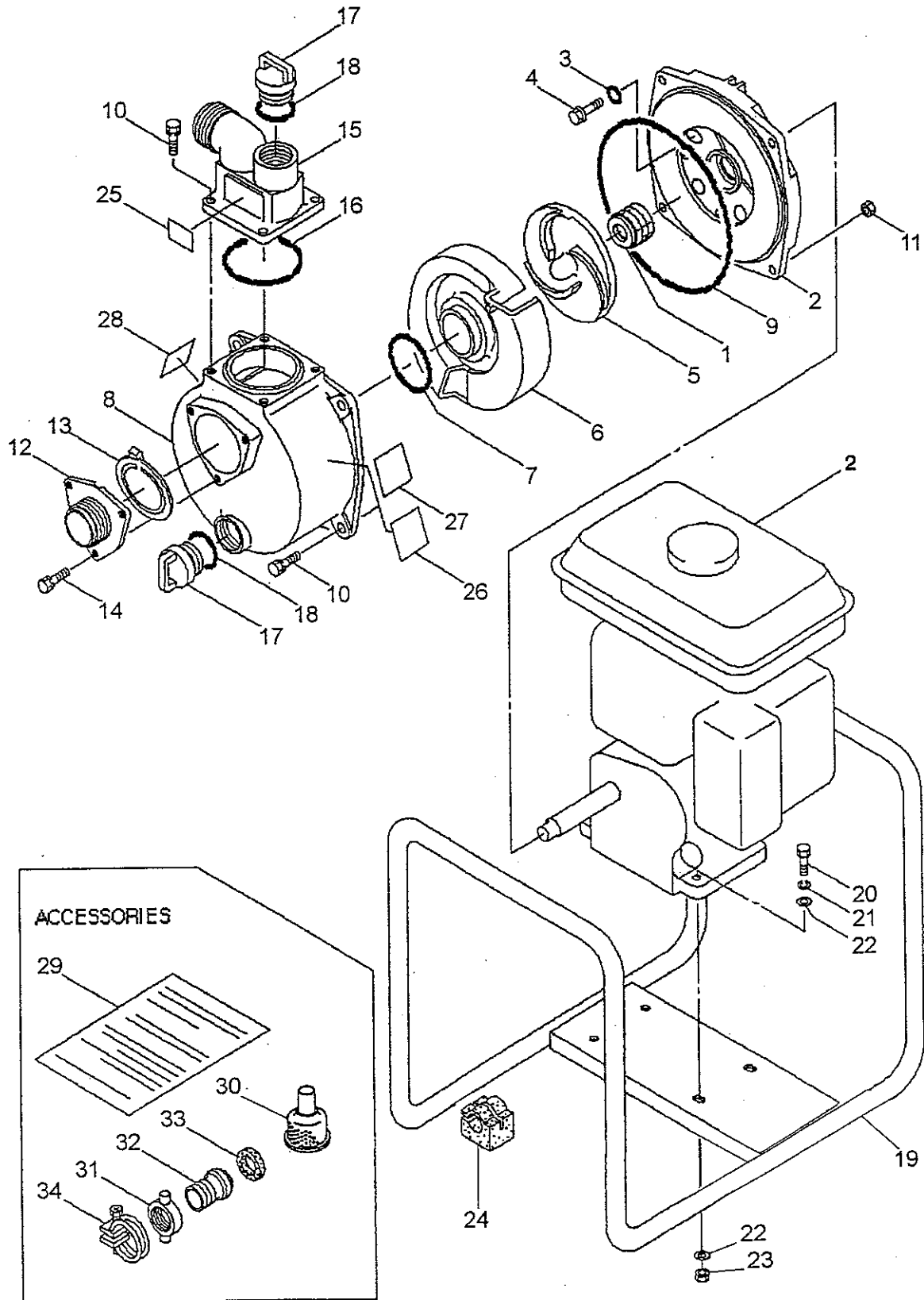
MAIN BODY MP4020EH



MAIN BODY MP4020EH

| Ref No. | Part No. | Description | Q'ty | Notes |
|---------|----------|----------------------|------|------------|
| 1 | 240072 | Mechanical Seal | 1 | |
| 2 | 240480 | Casing Cover | 1 | |
| 3 | 014190 | O-Ring | 4 | P8 |
| 4 | 089721 | Bolt | 4 | M8X40 |
| 5 | 240592 | Impeller | 1 | |
| 6 | 240593 | Scroll | 1 | |
| 7 | 012392 | O-Ring | 1 | G60 |
| 8 | 240585 | Casing | 1 | |
| 9 | 016601 | O-Ring | 1 | |
| 10 | 092530 | Bolt | 8 | M8X25 |
| 11 | 081039 | Nut | 4 | M8 |
| 12 | 240594 | Suction Port | 1 | |
| 13 | 240484 | Check Valve | 1 | |
| 14 | 092521 | Bolt | 3 | M8X20 |
| 15 | 240595 | Discharge Port | 1 | |
| 16 | 012393 | O-Ring | 1 | G80 |
| 17 | 240082 | Blind Plug | 2 | M36 |
| 18 | 018690 | O-Ring | 2 | P36 |
| 19 | 240487 | Setting Base | 1 | |
| 20 | 080133 | Bolt M8x35x22 | 4 | M8X25X22 |
| 21 | 015845 | Spring Washer | 4 | M8 |
| 22 | 012489 | Washer | 8 | M8 |
| 23 | 081039 | Nut | 4 | M8 |
| 24 | 240490 | Buffer | 1 | |
| 25 | 240368 | Label | 1 | MARUYAMAA |
| 26 | 240019 | Label | 1 | |
| 27 | 107483 | Label | 1 | |
| 28 | 240517 | Label | 1 | MP4020E |
| 29 | 240793 | Instruction Manual | 1 | |
| 30 | 240512 | Strainer | 1 | |
| 31 | 240064 | Hose Female Nut | 2 | PF1 1/2 |
| 32 | 240065 | Hose Female Coupling | 2 | |
| 33 | 240066 | Packing | 2 | 36X44.5X12 |
| 34 | 240067 | Hose Band | 3 | 43-48 |

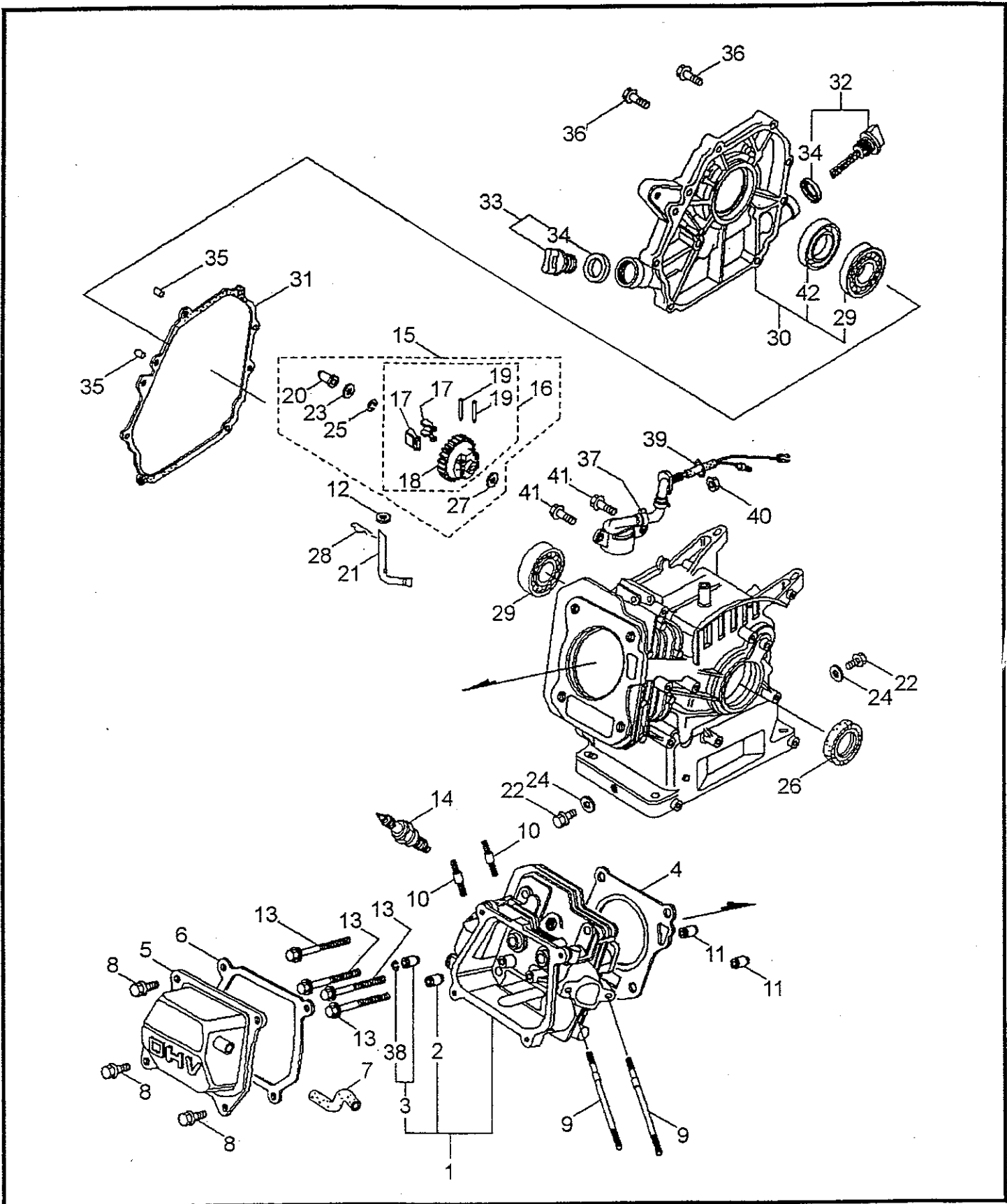
MAIN BODY MP5020EH



MAIN BODY MP5020EH

| Ref No. | Part No. | Description | Q'ty | Notes |
|---------|----------|----------------------|------|----------|
| 1 | 240072 | Mechanical Seal | 1 | |
| 2 | 240480 | Casing Cover | 1 | |
| 3 | 014190 | O-Ring | 4 | P8 |
| 4 | 089721 | Bolt | 4 | M8X40 |
| 5 | 240389 | Impeller | 1 | |
| 6 | 240584 | Scroll | 1 | |
| 7 | 012392 | O-Ring | 1 | G60 |
| 8 | 240585 | Casing | 1 | |
| 9 | 016601 | O-Ring | 1 | |
| 10 | 092530 | Bolt | 8 | M8X25 |
| 11 | 081039 | Nut | 4 | M8 |
| 12 | 240586 | Suction Port | 1 | |
| 13 | 240484 | Check Valve | 1 | |
| 14 | 092521 | Bolt | 3 | M8X20 |
| 15 | 240587 | Discharge Port | 1 | |
| 16 | 012393 | O-Ring | 1 | G80 |
| 17 | 240082 | Blind Plug | 2 | M36 |
| 18 | 018690 | O-Ring | 2 | P36 |
| 19 | 240487 | Setting Base | 1 | |
| 20 | 080133 | Bolt | 4 | M8X35X22 |
| 21 | 015845 | Spring Washer | 4 | M8 |
| 22 | 012489 | Washer | 8 | M8 |
| 23 | 081039 | Nut | 4 | M8 |
| 24 | 240490 | Buffer | 4 | |
| 25 | 240368 | Label | 1 | MARUYAMA |
| 26 | 240019 | Label | 1 | |
| 27 | 107483 | Label | 1 | |
| 28 | 240500 | Label | 1 | MP5020E |
| 29 | 240793 | Instruction Manual | 1 | |
| 30 | 240495 | Strainer | 1 | |
| 31 | 240096 | Hose Female Nut | 2 | PF2 |
| 32 | 240097 | Hose Female Coupling | 2 | |
| 33 | 014025 | Packing | 2 | 48X56X12 |
| 34 | 240098 | Hose Band | 3 | #55-60 |

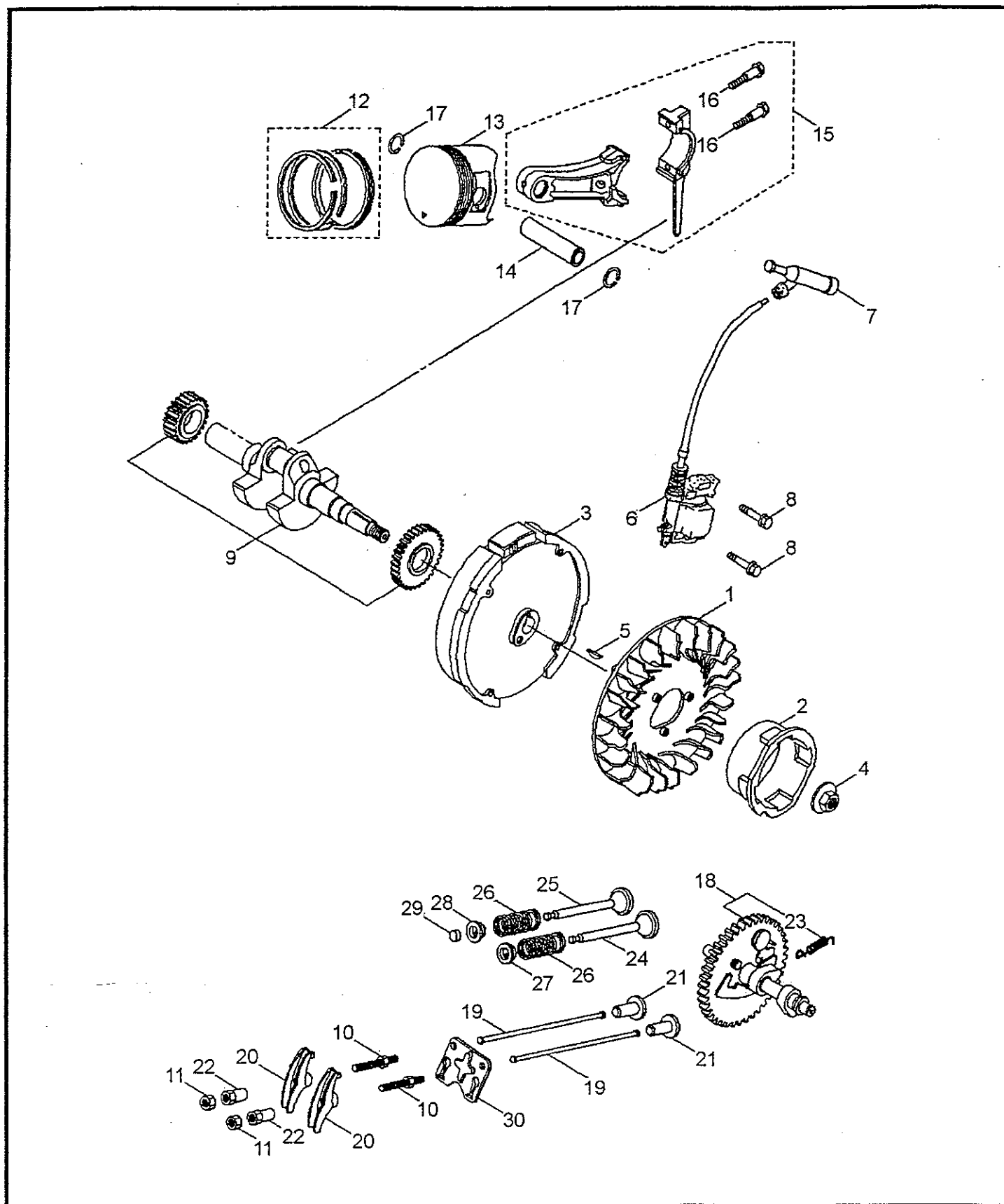
ENGINE CRANKCASE



ENGINE CRANKCASE

| Ref No. | Part No. | Description | Q'ty | Notes |
|---------|----------|--------------------------------|------|----------------------|
| 1 | 627188 | Cylinder Head Comp. | 1 | INCL. 2,3,38 |
| 2 | 620734 | Inlet Valve Guide(Over Size) | 1 | |
| 3 | 583642 | Exhaust Valve Guide(Over Size) | 1 | INCL. 38 |
| 4 | 620735 | Cylinder Head Gasket | 1 | |
| 5 | 583644 | Head Cover Comp. | 1 | |
| 6 | 583645 | Head Cover Packing | 1 | |
| 7 | 625223 | Breather Tube | 1 | |
| 8 | 990467 | Bolt | 4 | |
| 9 | 625224 | Stud Bolt | 2 | |
| 10 | 583649 | Stud Bolt | 2 | |
| 11 | 583650 | Dowel Pin | 2 | |
| 12 | 990493 | Plain Washer | 1 | |
| 13 | 620737 | Flange Bolt | 4 | |
| 14 | 625225 | Spark Plug | 1 | BPR6ES NGK |
| 15 | 583654 | Governor Kit | 1 | INCL. 16,20,23,25,27 |
| 16 | 583656 | Governor Assy. | 1 | INCL. 17-19 |
| 17 | 583657 | Governor Weight | 2 | |
| 18 | 583658 | Governor Weight Holder | 1 | |
| 19 | 998195 | Governor Weight Pin | 2 | |
| 20 | 583659 | Governor Slider | 1 | |
| 21 | 583660 | Governor Arm Shaft | 1 | |
| 22 | 998200 | Drain Plug Bolt | 2 | |
| 23 | 620739 | Thrust Washer | 1 | |
| 24 | 998199 | Drain Plug Washer | 2 | |
| 25 | 583662 | Governor Holder Clip | 1 | |
| 26 | 620740 | Oil Seal | 1 | |
| 27 | 990493 | Plain Washer | 1 | |
| 28 | 990496 | Lock Pin | 1 | |
| 29 | 620741 | Radial Ball Bearing | 1 | |
| 30 | 627190 | Crankcase Cover Assy. | 1 | INCL. 31 |
| 31 | 627191 | Case Cover Packing | 1 | |
| 32 | 620744 | Oil Filler Cap Assy. | 1 | INCL. 34 |
| 33 | 620745 | Oil Filler Cap Assy. | 1 | INCL. 34 |
| 34 | 620747 | Oil Filler Cap Packing | 1 | |
| 35 | 990497 | Knock Pin | 2 | |
| 36 | 998198 | Flange Bolt | 7 | |
| 37 | 627189 | Oil Level Switch Assy. | 1 | |
| 38 | 620736 | Clip | 1 | |
| 39 | 625228 | O-Ring | 1 | |
| 40 | 625229 | Flange Nut | 1 | |
| 41 | 625230 | Flange Bolt | 2 | |
| 42 | 627192 | Oil Seal | 1 | 22X41X6 |

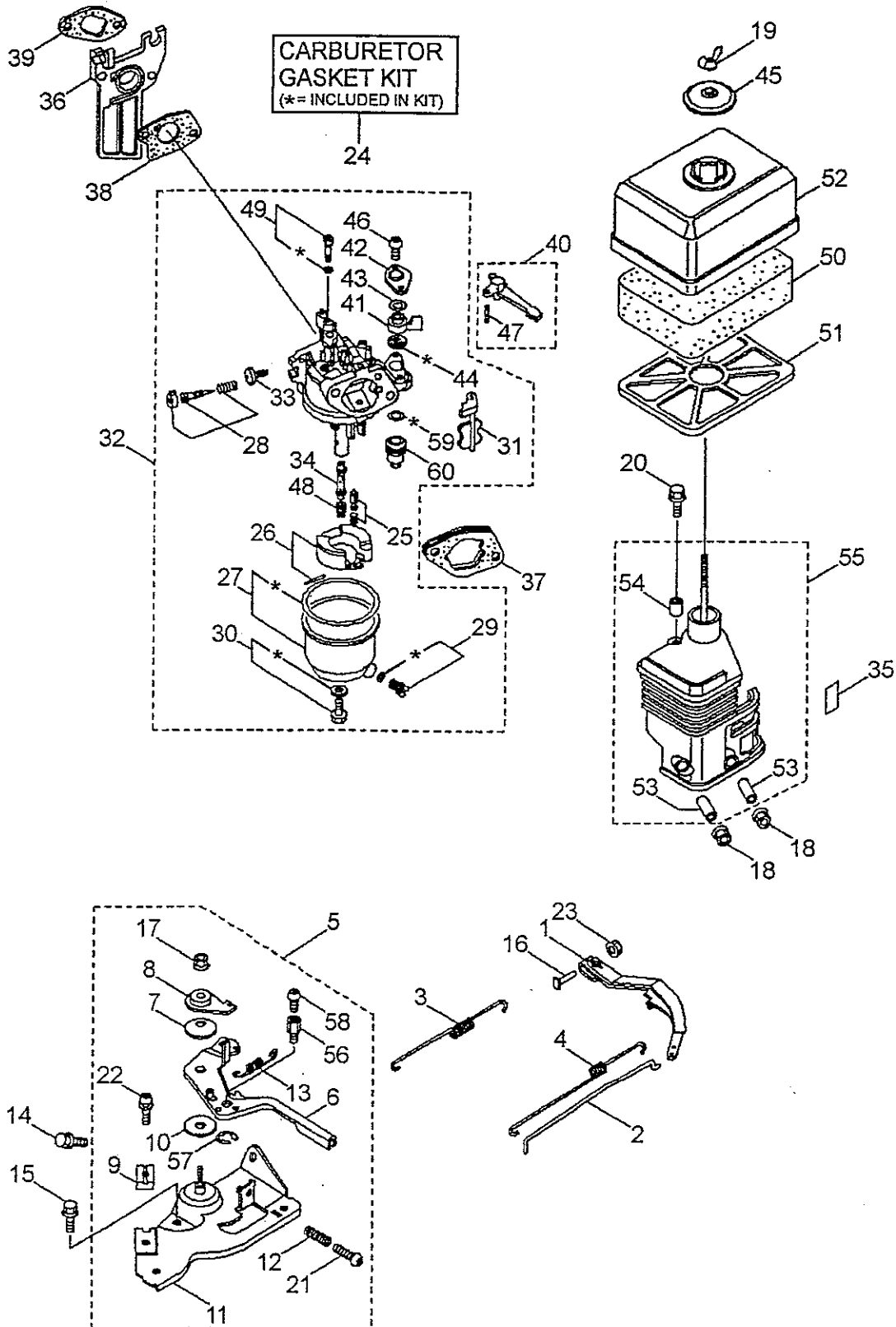
PISTON, CRANKSHAFT, IGNITION COIL, & VALVES



PISTON, CRANKSHAFT, IGNITION COIL, & VALVES

| Ref No. | Part No. | Description | Q'ty | Notes |
|---------|----------|--------------------------|------|----------|
| 1 | 620764 | Cooling Fan | 1 | |
| 2 | 620765 | Starter Pulley | 1 | |
| 3 | 620766 | Flywheel Complete | 1 | |
| 4 | 583685 | Special Nut | 1 | |
| 5 | 583686 | Special Woodruff Key | 1 | |
| 6 | 625232 | Ignition Coil Assy. | 1 | |
| 7 | 625233 | Cap Assy. | 1 | |
| 8 | 998214 | Flange Bolt | 2 | |
| 9 | 627193 | Crankshaft Comp.(W-Type) | 1 | |
| 10 | 583711 | Pivot Bolt | 2 | |
| 11 | 583712 | Pivot Adjusting Nut | 2 | |
| 12 | 620772 | Piston Ring Set | 1 | |
| 13 | 620773 | Piston | 1 | |
| 14 | 620774 | Piston Pin | 1 | |
| 15 | 620775 | Connecting Rod Assy. | 1 | INCL. 16 |
| 16 | 583696 | Connecting Rod Bolt | 2 | |
| 17 | 620776 | Piston Pin Clip | 2 | |
| 18 | 620777 | Camshaft Assy. | 1 | INCL. 23 |
| 19 | 620818 | Push Rod | 2 | |
| 20 | 583700 | Valve Rocker Arm | 2 | |
| 21 | 626349 | Valve Lifter | 2 | |
| 22 | 625929 | Rocker Arm Pivot | 2 | |
| 23 | 583703 | Weight Return Spring | 1 | |
| 24 | 620819 | Inlet Valve | 1 | |
| 25 | 620820 | Exhaust Valve | 1 | |
| 26 | 620821 | Valve Spring | 2 | |
| 27 | 583707 | Retainer | 1 | |
| 28 | 583708 | Retainer | 1 | |
| 29 | 583709 | Valve Rotator | 1 | |
| 30 | 620822 | Push Rod Guide Plate | 1 | |

AIR CLEANER, CARBURETOR, & GOVERNOR



AIR CLEANER, CARBURETOR, & GOVERNOR

| Ref No. | Part No. | Description | Q'ty | Notes |
|---------|----------|-------------------------|------|-------------|
| 1 | 620823 | Governor Arm | 1 | |
| 2 | 620824 | Governor Rod | 1 | |
| 3 | 620825 | Governor Spring | 1 | |
| 4 | 620826 | Throttle Return Spring | 1 | |
| 5 | 627196 | Control Assy. | 1 | |
| 6 | 620828 | Control Lever | 1 | |
| 7 | 998280 | Lever Spring | 1 | |
| 8 | 620829 | Control Lever Washer | 1 | |
| 9 | 990418 | Cable Holder | 1 | |
| 10 | 998278 | Control Lever Spacer | 1 | |
| 11 | 620830 | Control Base Comp. | 1 | |
| 12 | 990419 | Control Adj Spring | 1 | |
| 13 | 583721 | Cable Return Spring | 1 | |
| 14 | 583762 | Flange Bolt | 1 | |
| 15 | 990467 | Bolt | 1 | |
| 16 | 583723 | Governor Arm Bolt | 1 | |
| 17 | 583724 | Self Lock Nut | 1 | |
| 18 | 990487 | Nut | 2 | |
| 19 | 990471 | Nut | 1 | |
| 20 | 627203 | Bolt | 1 | |
| 21 | 620831 | Pan Screw | 1 | |
| 22 | 620832 | Pan Screw | 1 | |
| 23 | 990487 | Nut | 1 | |
| 24 | 627034 | Gasket Set | 1 | INCL. 44,59 |
| 25 | 998250 | Float Valve Set | 1 | |
| 26 | 583729 | Float Set | 1 | |
| 27 | 583730 | Float Chamber Set | 1 | INCL. 29 |
| 28 | 627198 | Screw Set | 1 | |
| 29 | 998255 | Drain Screw Set | 1 | |
| 30 | 583731 | Screw Set | 1 | |
| 31 | 583732 | Choke Set | 1 | |
| 32 | 627199 | Carburetor Assy. | 1 | |
| 33 | 998258 | Throttle Stop Screw | 1 | |
| 34 | 627200 | Main Nozzle | 1 | |
| 35 | 620846 | Choke Mark | 1 | |
| 36 | 620837 | Insulator | 1 | |
| 37 | 583737 | Carburetor Spacer Comp. | 1 | |
| 38 | 625236 | Carburetor Packing | 1 | |
| 39 | 620839 | Insulator Packing | 1 | |
| 40 | 583740 | Choke Lever Comp. | 1 | INCL. 47 |
| 41 | 627201 | Cock Lever | 1 | |
| 42 | 998266 | Lever Setting Plate | 1 | |
| 43 | 998265 | Cock Lever Spring | 1 | |
| 44 | 620840 | Fuel Cock Packing | 1 | |
| 45 | 583752 | Cleaner Cap | 1 | |
| 46 | 620841 | Pan Screw | 2 | |
| 47 | 583744 | Spring Pin | 1 | |
| 48 | 627202 | Main Jet | 1 | #62 |
| 49 | 998260 | Pilot Jet Set | 1 | |
| 50 | 583746 | Air Cleaner Element | 1 | |

| Ref No. | Part No. | Description | Q'ty | Notes |
|---------|----------|---------------------------|------|-------------|
| 51 | 583747 | Air Cleaner Grid | 1 | |
| 52 | 620843 | Air Cleaner Cover | 1 | |
| 53 | 620844 | Air Cleaner Collar | 2 | |
| 54 | 583750 | Air Cleaner Collar B | 1 | |
| 55 | 620845 | Air Cleaner Elbow Comp. | 1 | INCL. 53,54 |
| 56 | 627039 | Wire Holder | 1 | |
| 57 | 583725 | Circlip | 1 | |
| 58 | 627040 | Pan Screw | 1 | |
| 59 | 626257 | Fuel Strainer Cup Packing | 1 | |
| 60 | 583742 | Fuel Strainer Cup | 1 | |